

PALLMANN

Briquetting Press PVB



Briquetting Press PVB

Areas of Application

The briquetting press type PVB is a high performance, long lasting and extremely economical machine used to compact material such as wood shavings, saw dust, wood chips, paper waste, cardboard waste, textile waste, cellulose fluff, plastic film, soft metal (copper, aluminium, magnesium) shavings and any kind of dust from dust collectors and filters.

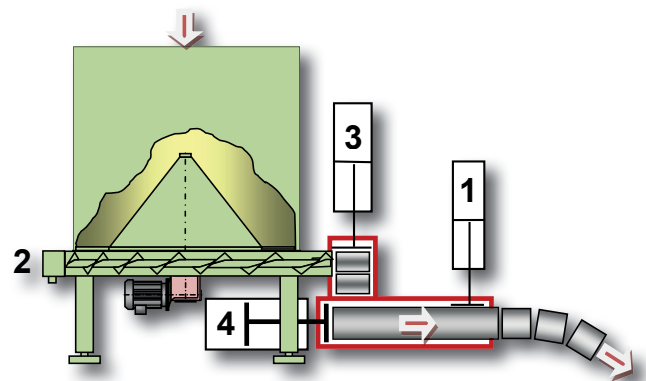
The machine cannot compact metal pieces. The diameter of the produced briquettes is approx. 60mm, the length is up to 120mm.

Principle of Operation

Material is fed into a special silo with a central material driver and a discharge screw feeding a feeding cylinder.

This cylinder presses the material into the compacting chamber. Once in the compacting chamber, a high pressure cylinder presses the material to the desired density.

During compacting operation, two clamping cylinders hold the material in place. Once the pressure of the clamping cylinders is released the briquettes are discharged through a transport tube. As there is no heat generated in the process, no cooling is required.



1. Applying pressure to the compacted material.
2. Feeding of material and prepressing with screw.
3. Prepressing with feed pusher.
4. Forming of the briquette, pressure controlled and discharge of the briquette.



Design

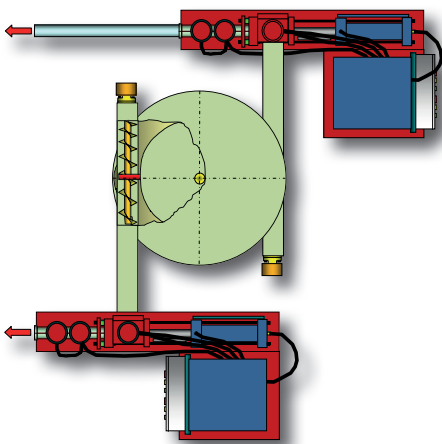
The machine is designed for 24 hour operation. An oil cooler with fan ensures proper operating temperature. The throughput rate can be increased by employing up to two or more compacting chambers around the silo.

Automatic control system

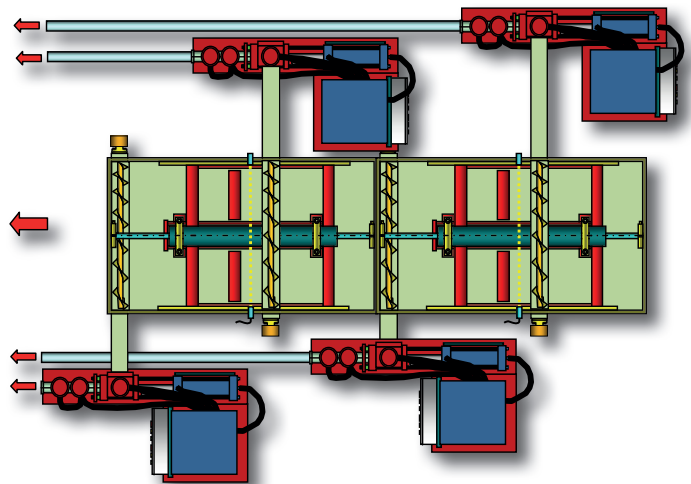
Compacting with this briquetting press is a fully automatic operation. A state-of-the-art microprocessor controls not only the briquetting press' functions, but also the silo material driver and the discharge screw.



- Substantial reduction of material volume
- Low maintenance and durable
- Automatic control system
- Compact design, low space requirement



PVB 60-2 R



PVB 60-4H

Briquetting Press	PVB	60-1R	60-2R	60-1H	60-2H	60-4H
Infeed opening	mm	1280	1280	1280	1280	2 x 1280
Silo volume	m ³	0,7	0,7	1,0	1,0	2,0
Pump pressure	bar	250	250	250	250	250
Pump motor	kW	11	2 x 11	11	2 x 11	4 x 11
Material driver motor	kW	2,2	2,2	2,2	2,2	2 x 2,2
Discharge screw motor	kW	2,2	2 x 2,2	2,2	2 x 2,2	4 x 2,2
Throughput rate*	Kg/h	150 - 320	300 - 640	150 - 320	300 - 640	600 - 1280

*Throughput rates depend heavily on the type and size of material to be compacted, mainly on the specific weight and bulk density of the material. Rates provided are based on an appropriate well metered feeding, on a good condition of the system, which needs regular inspection and maintenance.



The PALLMANN Group of Companies

The Pallmann Group of companies is the leading manufacturer for size reduction machines and systems for the plastic and recycling industry.

Pallmann Maschinenfabrik develops and manufactures machines and complete systems according to customer requirements or as standard solutions for the preparation of almost any plastic as well as recycling products. In its headquarters in Zweibrücken, Pallmann operates one of the world's largest research and technology centers as well as a training- and service center. More than 130 different test machines are available for the preparation of a wide variety of materials. A downstream laboratory analysis of the test material as well as the preparation on a production scale is possible.

In addition to the manufacturing facilities in Europe, North- and South America, the Pallmann group of companies operates a worldwide spare parts- and service network.



Engineering and Service:

Design and manufacturing
Research and development
Production scale testing
Laboratory analysis
Worldwide service
Spare parts
Controlling
Process Control
Installation & Start-up
Overhaul & Repair

System solutions for:

Pulverizing
Granulating
Agglomerating
Recycling

Products:

Singleshaft Shredders
Doubleshaft Shredders
Prebreaker, Precrusher
Horizontal Impactmills
Vertical Shredders
Metal Shears
Horizontal Guillotines
Knife Mills
Industry Granulators
Hammer Mills
Roller Crushers
Cryogenic Grinding Systems
Agglomerators
Compactors
Pulverizing Systems

PALLMANN Industries Inc.
820 Bloomfield Ave.
Clifton NJ 07012
USA
Phone +1 973 471 9773
Fax +1 973 471 7152
E-Mail: info@pallmannindustries.com
www.pallmann.eu

PALLMANN do Brasil Ind. e Com. Ltda.
Av. Presidente Juscelino, 11 56
09950-370 Diadema S.P.
Brasil
Phone +55 11 4075 3044
Fax +55 11 4075 4968
E-Mail: pallmann@pallmann.com.br
www.pallmann.com.br

PALLMANN GmbH
Leninski prospekt dom 158
Office Nr.206
119571 Moskau
Russia
Phone 007 495 232 15 21
Fax 007 495 232 15 22
E-Mail: info-ru@pallmann.de

PALLMANN Maschinenfabrik GmbH & Co.KG
Wolfslochstr.51
66482 Zweibrücken
Germany
Phone +49 6332 802 0
Fax +49 6332 802 521
E-Mail: recycling@pallmann.eu
www.pallmann.eu

PALLMANN Technology (Beijing) Co.,Ltd.
3F, Room 315-319, Union Development No.8,
Building, No.728, Xin Hua Road
200052 Shanghai, China
Phone +86 21 6283 4454
Fax +86 21
E-Mail: Jie.Tang@pallmann.eu
www.pallmannchina.com