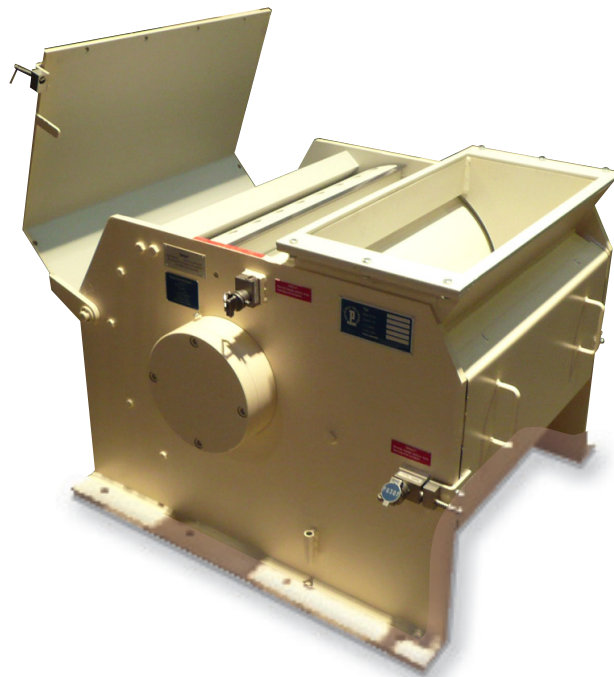


# PALLMANN

## *Top Performance in Size Reduction*

### Re-Chipper PSN

For the economical re-chipping of sawmill waste, veneer/plywood waste, screen oversizes and particleboard waste. The machine can be mounted e.g. under the chip screen without intermediate bin.



- **Adaptability to various material**
- **Simple but heavy duty design**
- **Extraordinary sturdiness**
- **Low maintenance requirements**
- **High throughput capacity**
- **Low operation costs**
- **Quick screen and knife change**

# Principle of operation

The feeding material is fed to chipping chamber either vertically or diagonally by gravity through an infeed chute. The individual adaption of the infeed chute to the various materials assures an optimal feeding.

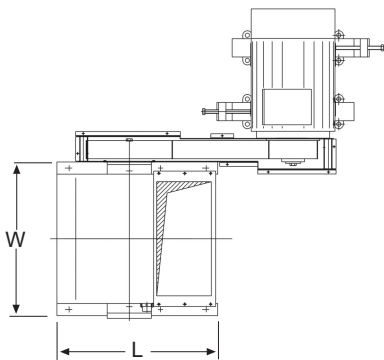
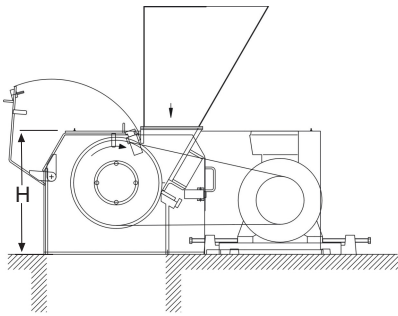
The feeding can be done either directly from the mechanical conveyor e.g. belt conveyor, vibratory conveyor or by hand. The rotor is equipped with pre-adjusted knives. The infeed material is chipped at the stator knife installed at the machine housing. The fineness of the outfeed material is determined by the size of the screen perforation, installed in the housing under the rotor, through which the material is discharged.

The off-transportation of the chipped material can be done either by mechanical or pneumatic conveyor.

## Design

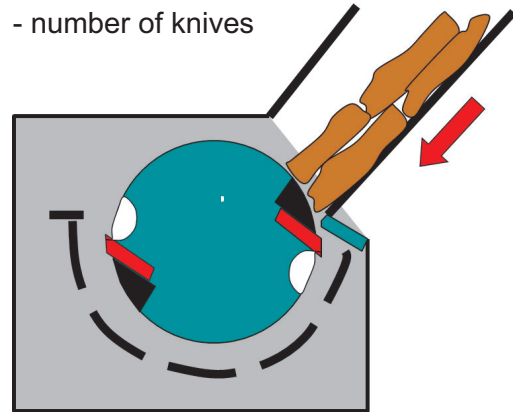
The housing of this sturdy machine is executed in strong welded design to resist tough operation conditions. The upper housing part can be swivelled for quick and easy access to the screen and rotor knives.

The over-designed rotor is equipped with double self-aligning roller bearings. The power is transferred by a solid v-belt drive.



Capacity determined by:

- knife protrusion (chip length)
- screen opening
- rotor speed
- number of knives



## Technical Data:

PSN	Rotor Diameter (mm)	Knives (pcs)	Capacity (m <sup>3</sup> /h)	Power (kW)	Dimensions		
					Length	Width	Height
200 x 400	480	2	2 - 15	11 - 22	890	790	720
200 x 600	480	2	4 - 25	15 - 45	890	990	720
300 x 500	600	2 - 4	5 - 30	18 - 55	1170	930	840
300 x 600	600	2 - 4	5 - 30	22 - 75	1170	1030	840
300 x 750	600	2 - 4	6 - 40	30 - 90	1170	1180	840
300 x 1000	600	2 - 4	10 - 60	75 - 90	1170	1430	840
400 x 1000	800	2 - 4	12 - 70	90 - 110	1540	1610	1010



**PALLMANN**

Maschinenfabrik GmbH & Co.KG

Wolfslochstr.51 D-66482 Zweibrücken

Phone +49 6332 802 0 Fax: +49 6332 802 511

email: wood@pallmann.eu

www.pallmann.eu